


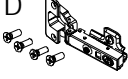

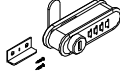


Assembly Instructions



LOCKER 3X4

MODEL NO. LOC-3X4LC175-NL

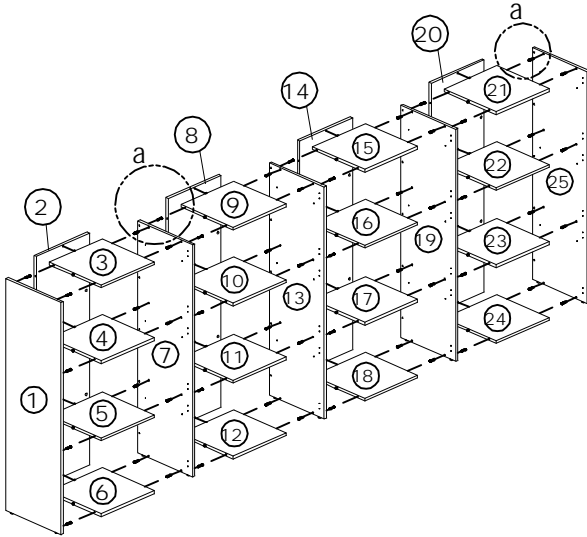
HARDWARE LIST

A  MF-SBOLT-JT-10259 80 PCS	B  DECO-CAP-16x5 80 PCS	C  STUD-COLLAR-010 48 PCS	D  HG-2/8-SC-MP 24 SETS	E  S-CB4X32 16 PCS	F  ACC-COMB-LOCK822 12 SETS
---	--	--	--	---	---

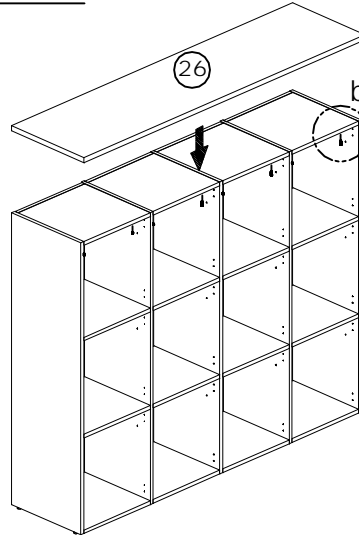
TOOLS REQUIRED

 Screwdriver	 Hand Drill
--	---

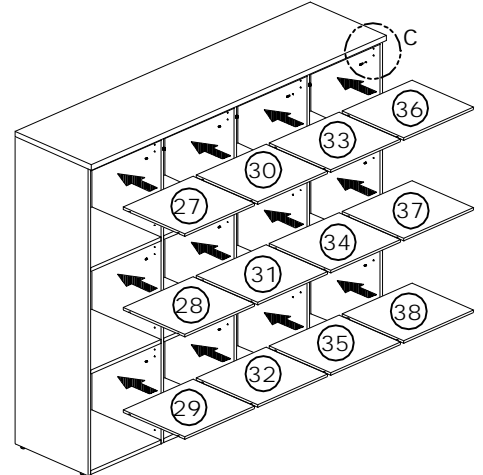
STEP 1



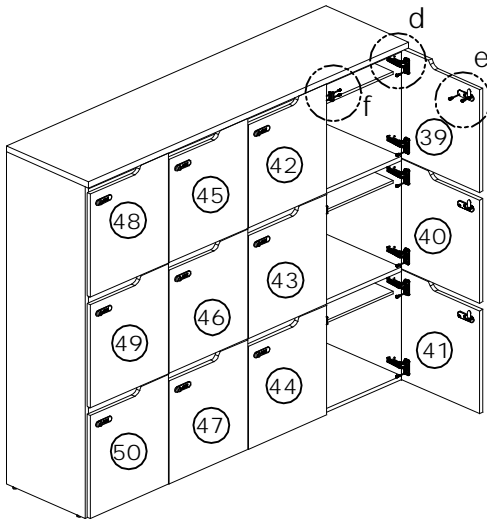
STEP 2



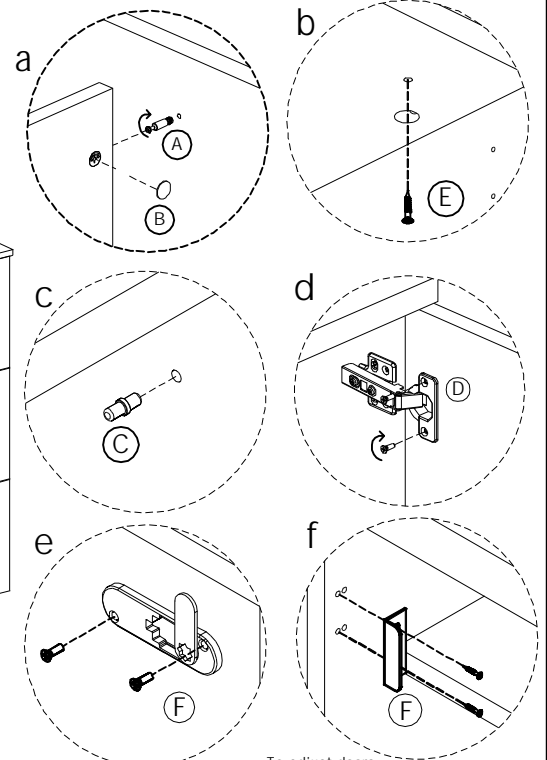
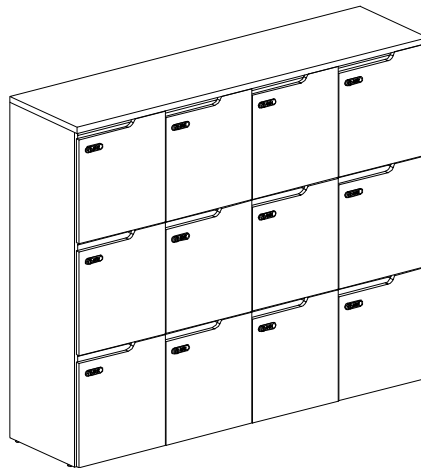
STEP 3



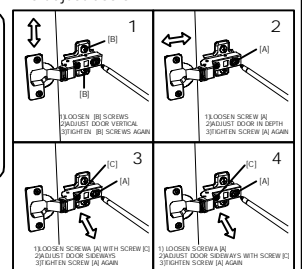
STEP 4



COMPLETED ASSEMBLY



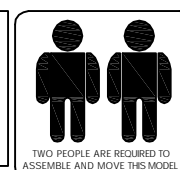
To adjust doors



IMPORTANT: FUNCTION OF KLIX CAM



1/4 RIGHT TURN FOR LOCKING
Make Sure The Arrow Is Pointing Upwards Before Inserting Into The Panel's Hole



TWO PEOPLE ARE REQUIRED TO ASSEMBLE AND MOVE THIS MODEL

IMPORTANT NOTE:

- 1) Place all laminated parts on a clean and smooth surface such as a rug or carpet to avoid the parts from being scratched.
- 2) Check to be sure that you have all parts and hardware.
- 3) Remove all wrapping materials, including staples & packing straps before you start to assemble.
- 4) Keep all hardware parts out of reach of children.
- 5) If the product is not working properly, is missing a part, is damaged, or if you have any questions, please call customer service hotline before returning. To smoothen the process, kindly provide the invoice number, SO number and photo of damaged part or missing pieces to the handler.
- 6) Customer Service Hotline : +6 03 - 3392 6888. For further assembly instructions, please email us at info@versalink.com