

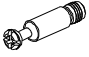





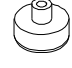


Assembly Instructions

OPEN SHELF CABINET

MODEL NO. S-EC-OS90-120

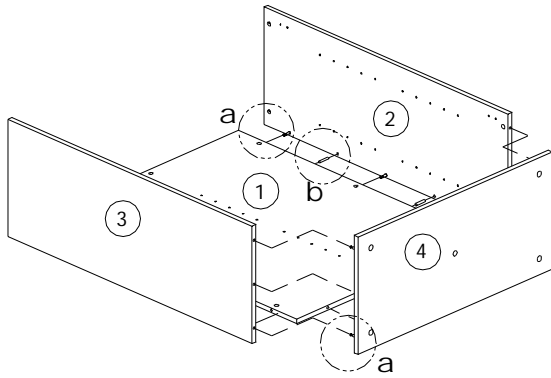
REV-1

HARDWARE LIST

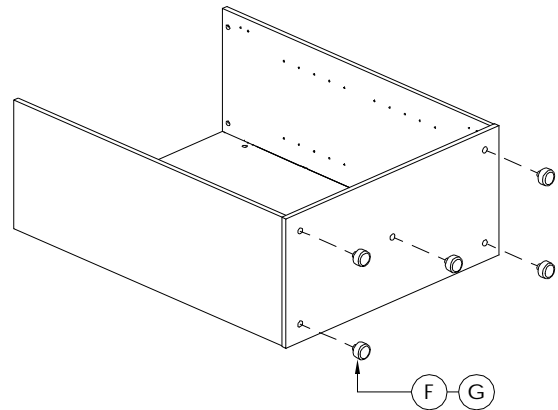
A	B	C	D	E	F	G		
								
MF-SBOLT-JT-10259 16 PCS	MF-CAM-JJ-10107 16 PCS	DECO-STC-20-COM 16 PCS	DW-WD-M8X40 12 PCS	STUD-COL-710 10 PCS	S-CB4X16 20 PCS	ACC-ADJ-LVL-N2880/ ACC-ADJ-LVL-N2881/ ACC-LVL-N2880-CAP 5 PCS	Hand Drill	Screwdriver

TOOLS REQUIRED

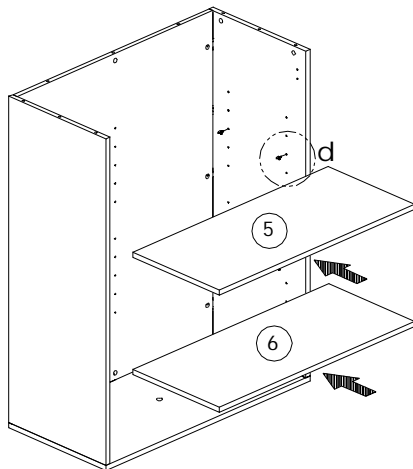
STEP 1



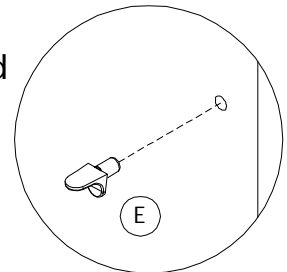
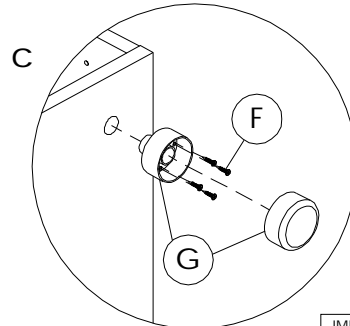
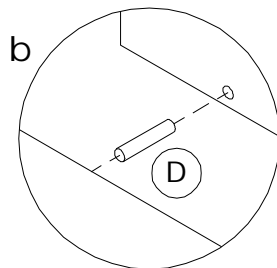
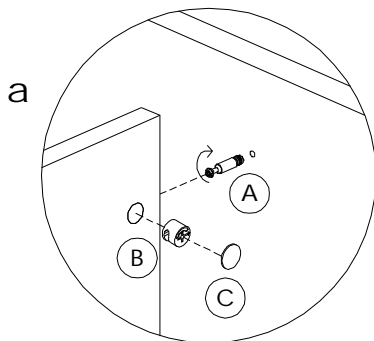
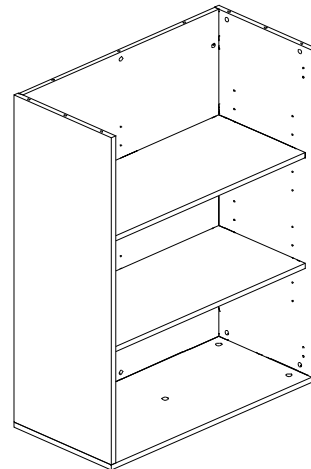
STEP 2



STEP 3




COMPLETED ASSEMBLY



IMPORTANT NOTE:

- 1) Place all laminated parts on a clean and smooth surface such as a rug or carpet to avoid the parts from being scratched.
- 2) Check to be sure that you have all parts and hardware.
- 3) Remove all wrapping materials, including staples & packing straps before you start to assemble.
- 4) Keep all hardware parts out of reach of children.
- 5) If the product is not working properly, is missing a part, is damaged, or if you have any questions, please call customer service hotline before returning. To smoothen the process, kindly provide the invoice number, SO number and photo of damaged part or missing pieces to the handler.
- 6) Customer Service Hotline : +6 03 - 3392 6888. For further assembly instructions, please email us at info@versalink.com

**IMPORTANT:
FUNCTION OF KLIX CAM**



1/4 RIGHT
TURN FOR
LOCKING

**Make Sure The Arrow Is Pointing
Upwards Before Inserting
Into The Panel's Hole**

