








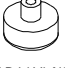
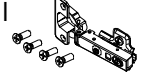
Assembly Instructions

MURO CABINET



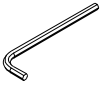
MODEL NO. MRO-EC-1L240A

REV-1

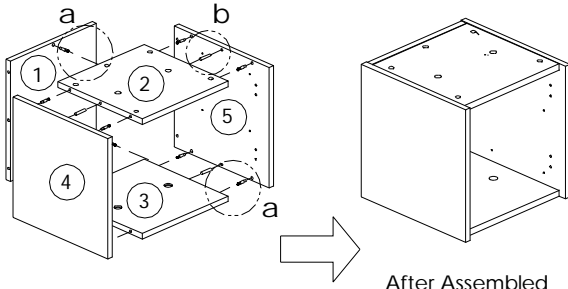
HARDWARE LIST

A  MF-SBOLT-JT-10259 24 PCS	B  MF-CAM-JJ-10107 24 PCS	C  DECO-STC-20-COM 24 PCS	D  DW-WD-M8X40 16 PCS	E  MRO-CTR-LOCK-01 12 PCS	F  MRO-CTR-PLIER-M6 12 PCS
G  S-CB4X16 48 PCS	H  ACC-ADJ-LVL-N2880/ ACC-ADJ-LVL-N2881/ ACC-LVL-N2880-CAP 12 PCS	I  HG-7/8-SCCLP-MP With Euro Screw 4 SETS			

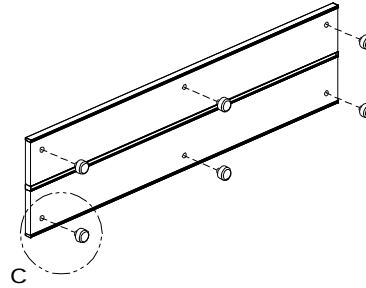
TOOLS REQUIRED

 Hand Drill	 Screwdriver
 Allen Key 4mm	

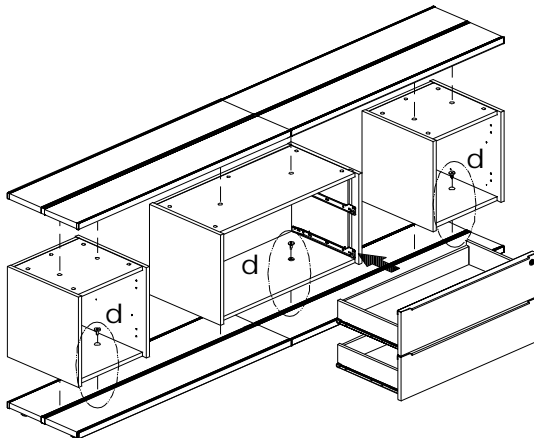
STEP 1



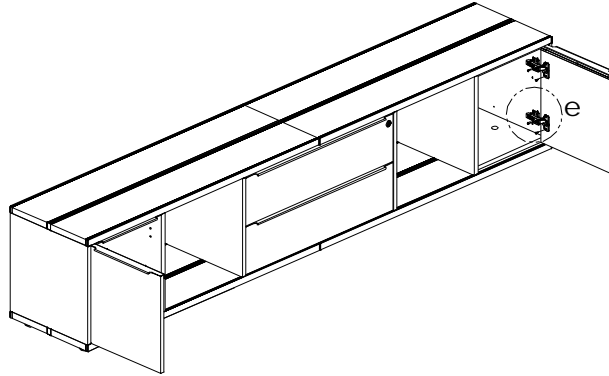
STEP 2



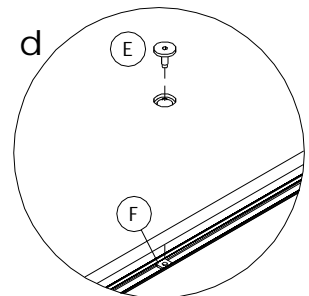
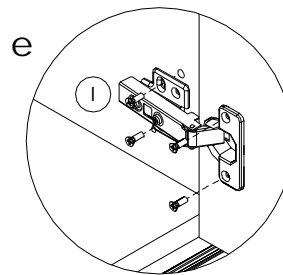
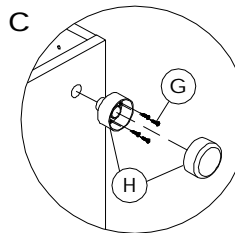
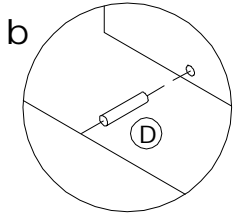
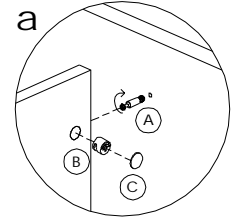
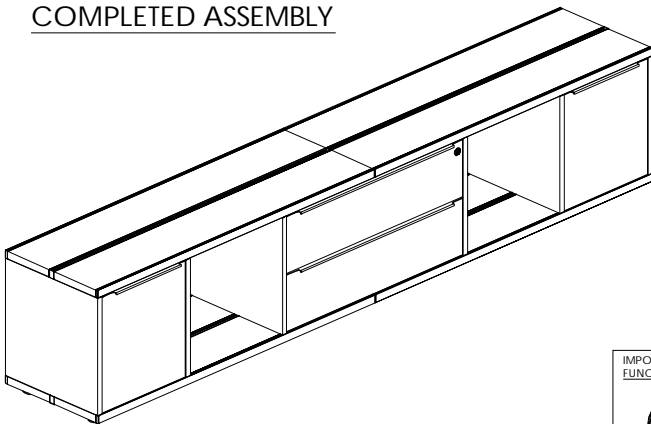
STEP 3



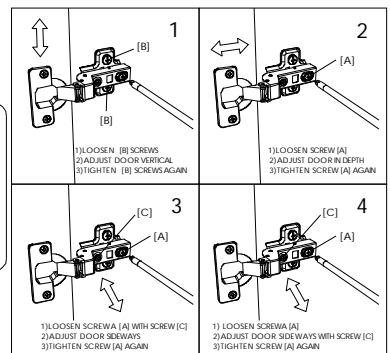
STEP 4




COMPLETED ASSEMBLY



To adjust doors

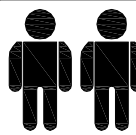


IMPORTANT:
FUNCTION OF KLIX CAM



1/4 RIGHT TURN FOR LOCKING

Make Sure The Arrow Is Pointing Upwards Before Inserting Into The Panel's Hole



TWO PEOPLE ARE REQUIRED TO ASSEMBLE AND MOVE THIS MODEL

IMPORTANT NOTE:

- 1) Place all laminated parts on a clean and smooth surface such as a rug or carpet to avoid the parts from being scratched.
- 2) Check to be sure that you have all parts and hardware.
- 3) Remove all wrapping materials, including staples & packing straps before you start to assemble.
- 4) Keep all hardware parts out of reach of children.
- 5) If the product is not working properly, is missing a part, is damaged, or if you have any questions, please call customer service hotline before returning. To smoothen the process, kindly provide the invoice number, SO number and photo of damaged part or missing pieces to the handler.
- 6) Customer Service Hotline : +6 03 - 3392 6888. For further assembly instructions, please email us at info@versalink.com