

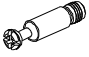





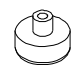
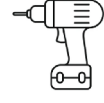

Assembly Instructions

OPEN SHELF CABINET

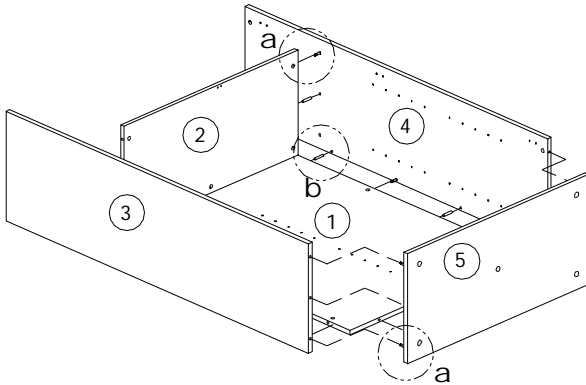
MODEL NO. S-EC-OS90-157

REV-1

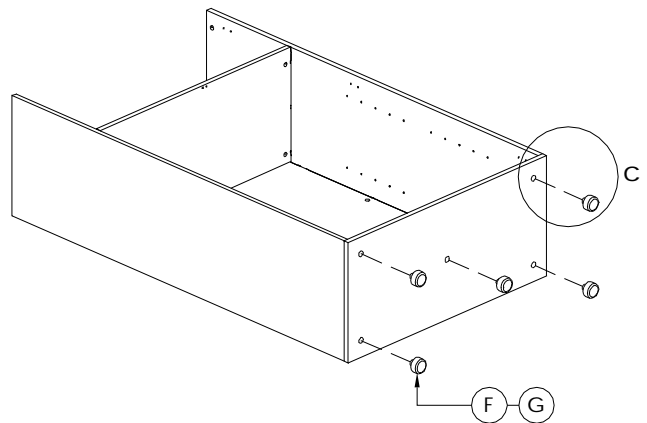
HARDWARE LIST

HARDWARE LIST						TOOLS REQUIRED		
A  MF-SBOLT-JT-10259 21 PCS	B  MF-CAM-JJ-10107 21 PCS	C  DECO-STC-20-COM 21 PCS	D  DW-WD-M8X40 16 PCS	E  STUD-COL-710 10 PCS	F  S-CB4X16 20 PCS	G  ACC-ADJ-LVL-N2880/ ACC-ADJ-LVL-N2881/ ACC-LVL-N2880-CAP 5 PCS	 Hand Drill	 Screwdriver

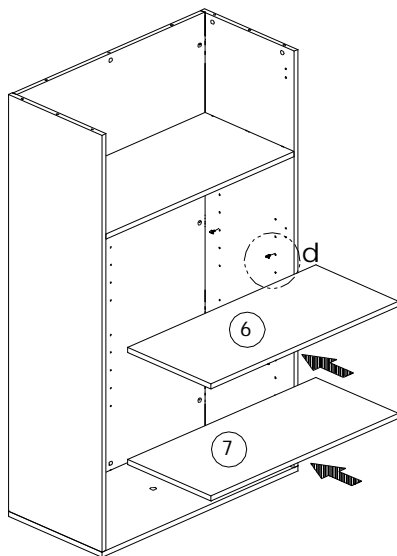
STEP 1



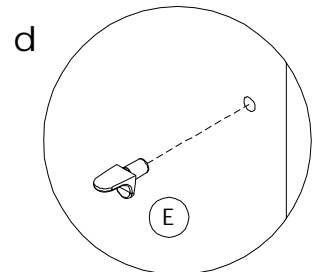
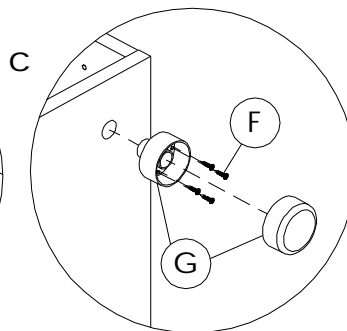
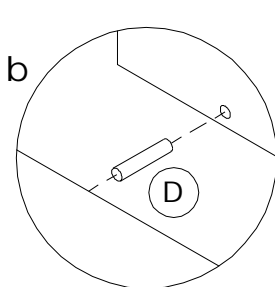
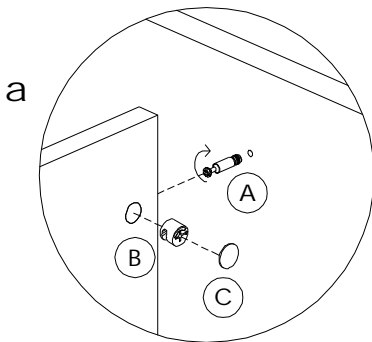
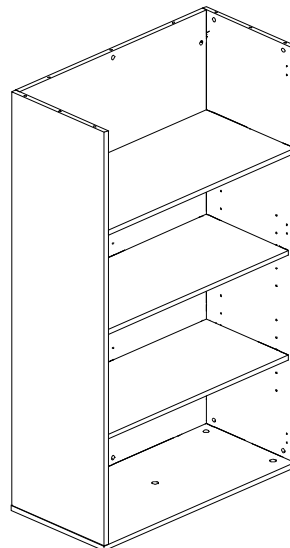
STEP 2



STEP 3



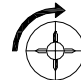
COMPLETED ASSEMBLY



IMPORTANT NOTE:

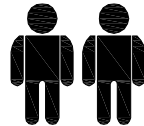
- 1) Place all laminated parts on a clean and smooth surface such as a rug or carpet to avoid the parts from being scratched.
- 2) Check to be sure that you have all parts and hardware.
- 3) Remove all wrapping materials, including staples & packing straps before you start to assemble.
- 4) Keep all hardware parts out of reach of children.
- 5) If the product is not working properly, is missing a part, is damaged, or if you have any questions, please call customer service hotline before returning. To smoothen the process, kindly provide the invoice number, SO number and photo of damaged part or missing pieces to the handler.
- 6) Customer Service Hotline : +6 03 - 3392 6888. For further assembly instructions, please email us at info@versalink.com

IMPORTANT:
FUNCTION OF KLIX CAM



1/4 RIGHT TURN FOR LOCKING

Make Sure The Arrow Is Pointing Upwards Before Inserting Into The Panel's Hole



TWO PEOPLE ARE REQUIRED TO ASSEMBLE AND MOVE THIS MODEL