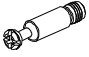





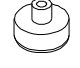




Assembly Instructions

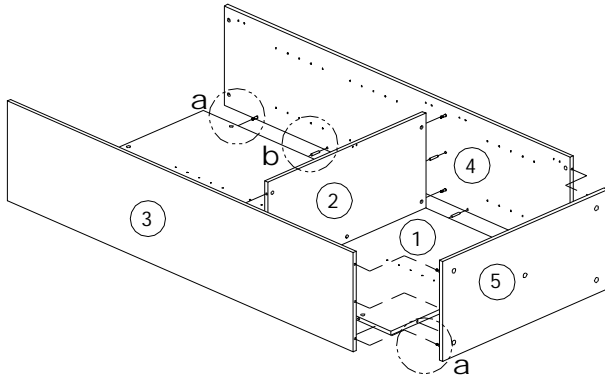
HALF DOOR CABINET

MODEL NO. S-EC-HD90-196

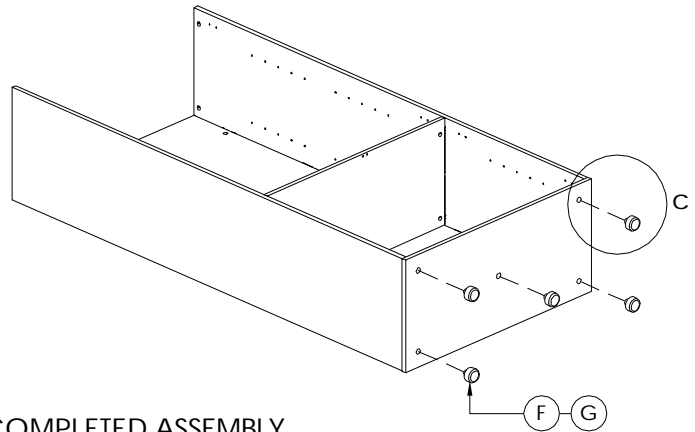
HARDWARE LIST

A	B	C	D	E	F	G		TOOLS REQUIRED
								
MF-SBOLT-JT-10259 21 PCS	MF-CAM-JJ-10107 21 PCS	DECO-STC-20-COM 21 PCS	DW-WD-M8X40 16 PCS	STUD-COL-710 10 PCS	S-CB4X16 20 PCS	ACC-ADJ-LVL-N2880/ ACC-ADJ-LVL-N2881/ ACC-LVL-N2880-CAP 5 PCS	Hand Drill	Screwdriver

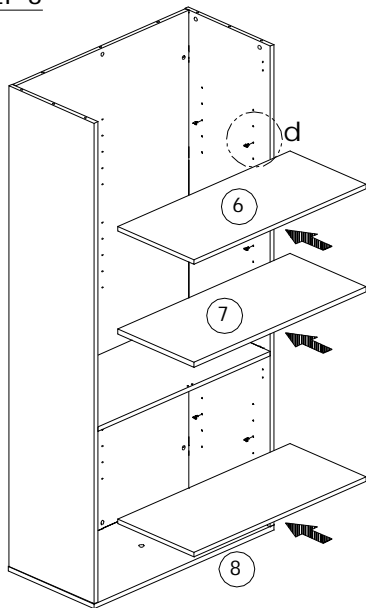
STEP 1



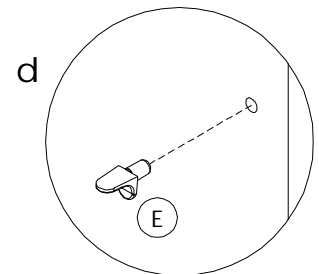
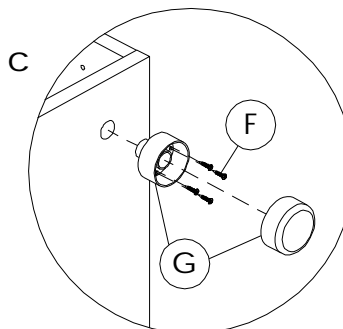
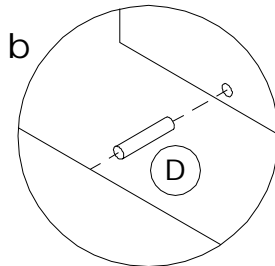
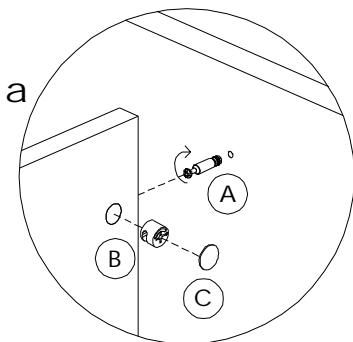
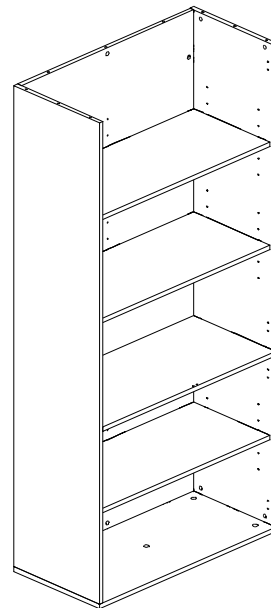
STEP 2



STEP 3




COMPLETED ASSEMBLY



IMPORTANT NOTE:

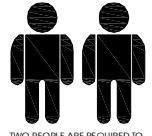
- 1) Place all laminated parts on a clean and smooth surface such as a rug or carpet to avoid the parts from being scratched.
- 2) Check to be sure that you have all parts and hardware.
- 3) Remove all wrapping materials, including staples & packing straps before you start to assemble.
- 4) Keep all hardware parts out of reach of children.
- 5) If the product is not working properly, is missing a part, is damaged, or if you have any questions, please call customer service hotline before returning. To smoothen the process, kindly provide the invoice number, SO number and photo of damaged part or missing pieces to the handler.
- 6) Customer Service Hotline : +6 03 - 3392 6888. For further assembly instructions, please email us at info@versalink.com

IMPORTANT: FUNCTION OF KUX CAM



1/4 RIGHT TURN FOR LOCKING

Make Sure The Arrow Is Pointing Upwards Before Inserting Into The Panel's Hole



TWO PEOPLE ARE REQUIRED TO ASSEMBLE AND MOVE THIS MODEL