


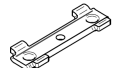






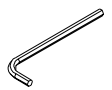
Assembly Instructions

MODEL NO. LEX-EC-SDM-120-70
LEX-EC-SDM-150-70

REV-1

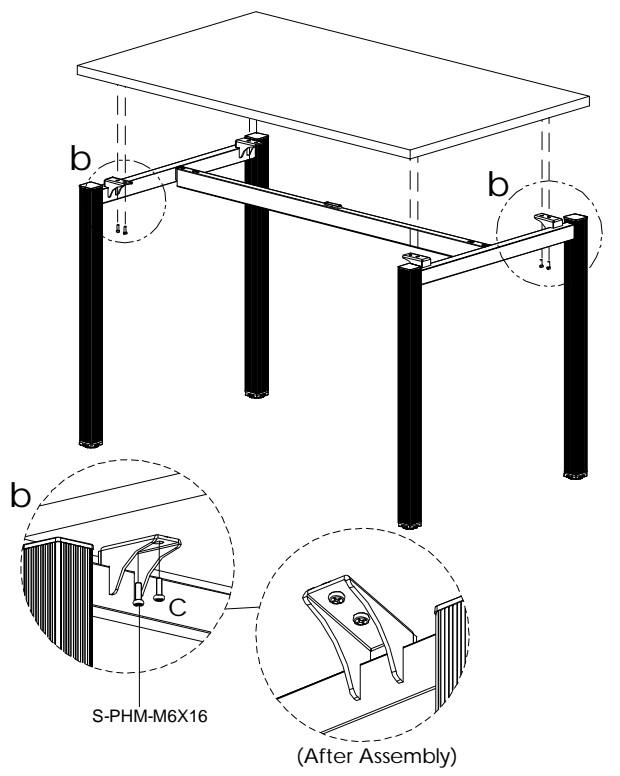
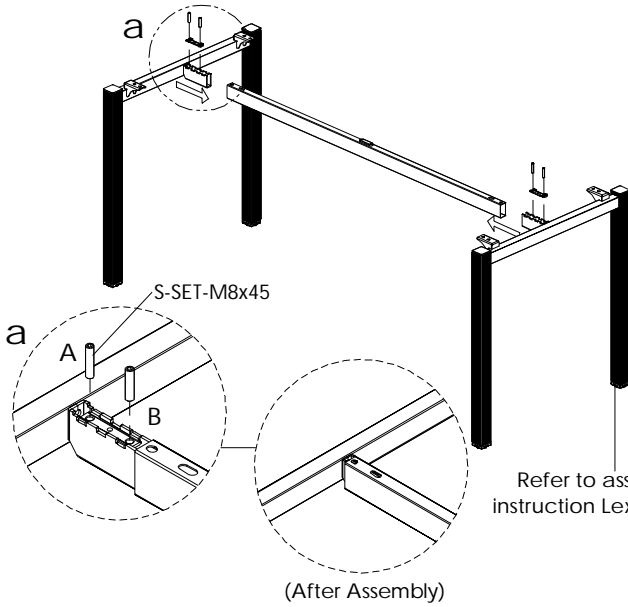
HARDWARE LIST

TOOLS REQUIRED

A	B	C	D	E	F	G			
									
Set Screw M8 x 45 4 PCS				Solo Rectangular Beam Reinforcement A 4 PCS		PHM Screw M6 x 16 8 PCS		Modesty Support Bracket 2 PCS	
				Pan Head Self Tapping Screw #4 x 1/2" 4 PCS		Philip Pan Head Self Tapping Screw #8 x 5/8" 8 PCS		Modesty Bracket 02-2 PCS PHM Screw M6 x 16-8 PCS	
*Hardware from Lex End Cross Beam				*Hardware from Modesty panel					

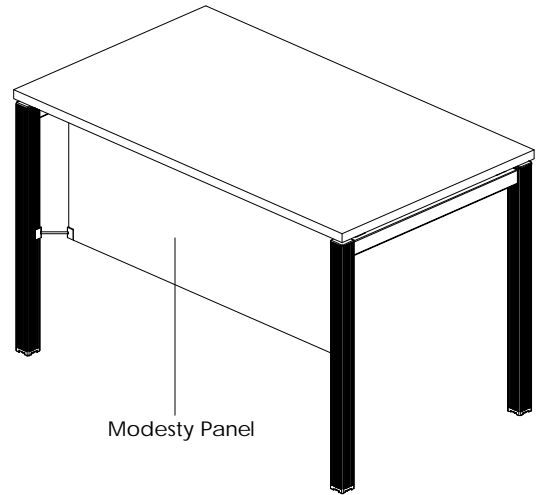
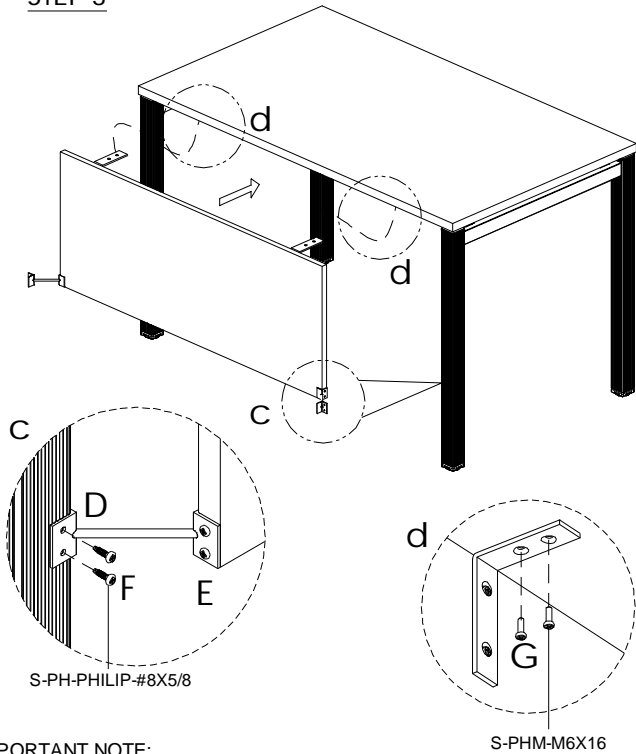
STEP 1

STEP 2



STEP 3

COMPLETED ASSEMBLY



IMPORTANT NOTE:

- 1) Place all laminated parts on a clean and smooth surface such as a rug or carpet to avoid the parts from being scratched.
- 2) Check to be sure that you have all parts and hardware.
- 3) Remove all wrapping materials, including staples & packing straps before you start to assemble.
- 4) Keep all hardware parts out of reach of children.
- 5) If the product is not working properly, is missing a part, is damaged, or if you have any questions, please call customer service hotline before returning. To smoothen the process, kindly provide the invoice number, SO number and photo of damaged part or missing pieces to the handler.
- 6) Customer Service Hotline : +6 03 - 3392 6888. For further assembly instructions, please email us at info@versalink.com

